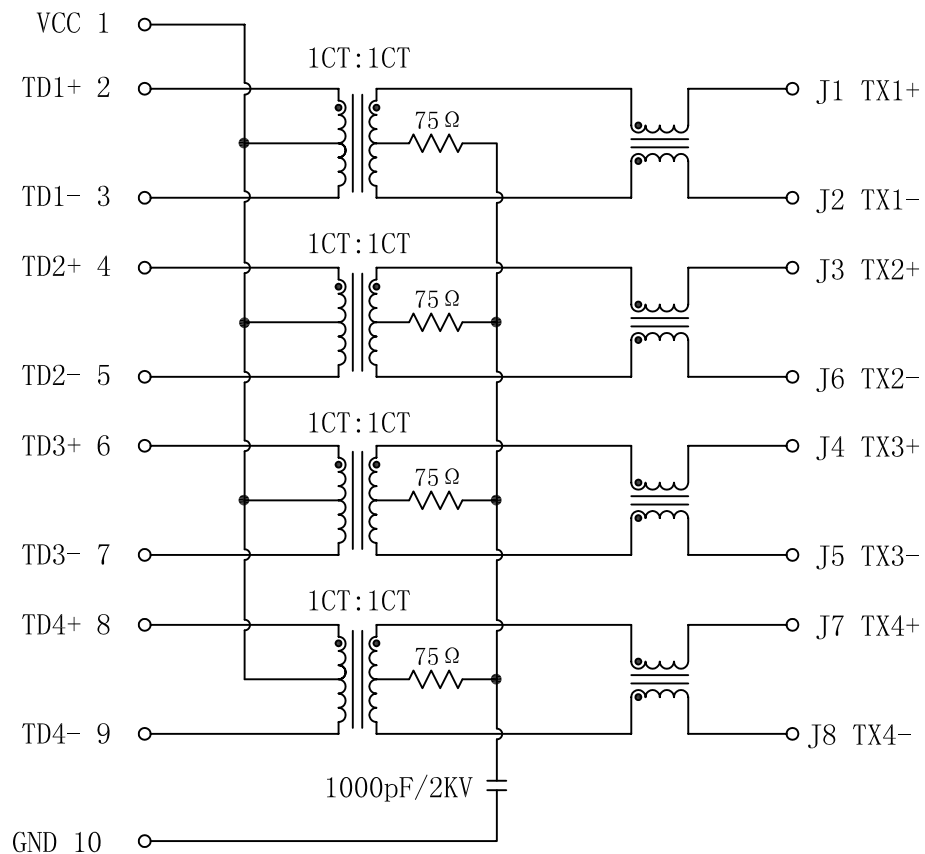


Schematic:

REV.	ECN NO.	DESCRIPTION	DATE	APPD
A	REL		2012/12/20	

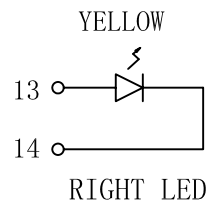
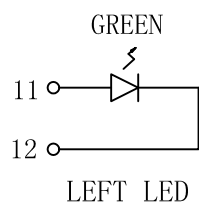
PCB CONNECTIONS



RJ45 CONNECTOR

ELECTRICAL SPECIFICATIONS @25°C

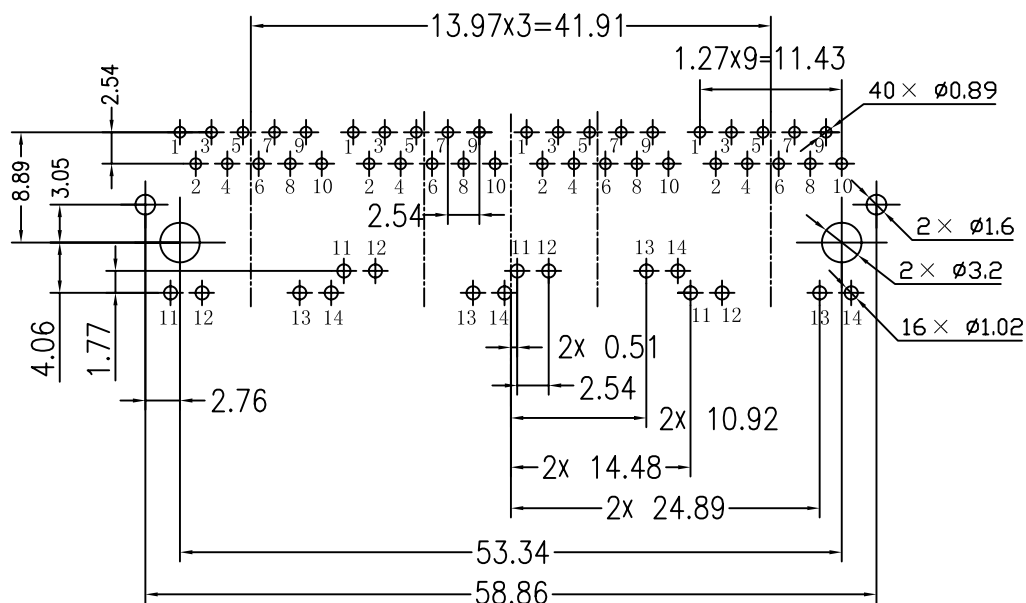
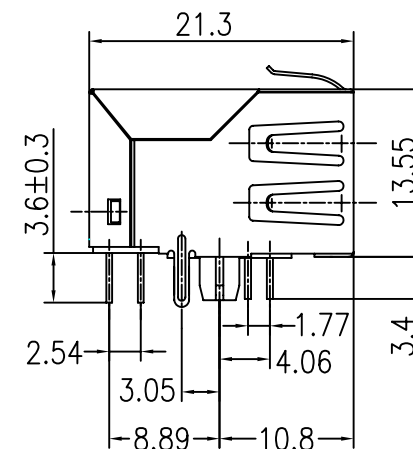
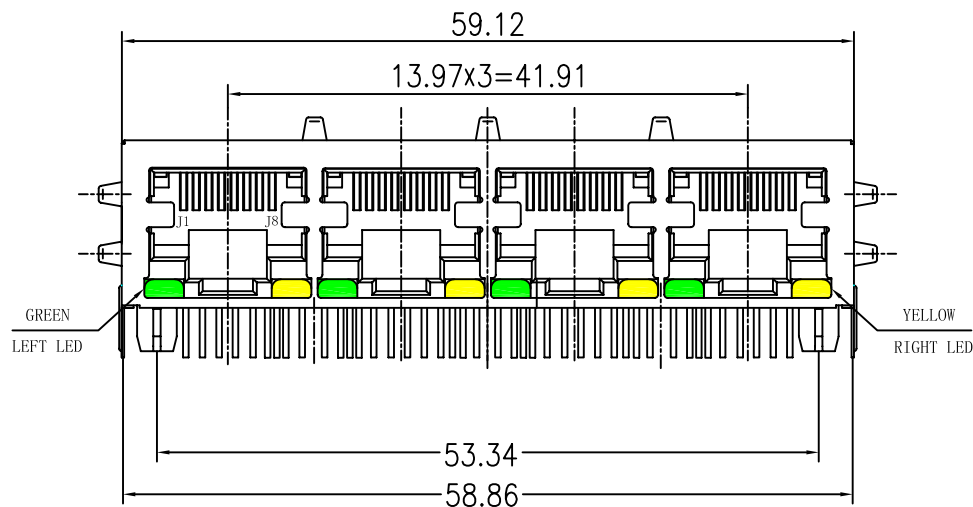
- Turn Ratio ($\pm 5\%$): 1CT : 1CT
- Inductance OCL: 350uH MIN @100KHz/0.1V, 8mA DC Bias
- Insertion Loss: -1.0dB MAX @ 1-100MHz
- Return Loss: -18dB MIN @ 1-30MHz
-16dB MIN @ 30-60MHz
-12dB MIN @ 60-80MHz
-10dB MIN @ 80-100MHz
- Cross talk: -30dB MIN @ 1-100MHz
- Common Mode Rejection: -43dB MIN @ 30MHz
-37dB MIN @ 80MHz
-33dB MIN @ 100MHz
- CMRR: -30dB Min @1-100MHz
- Hipot Test: 1500Vrms MIN
- Operating Temperature Range: 0°C TO 70°C



X:X	± 0.20	APPD:	LINK-PP INT'L TECHNOLOGY CO., LIMITED
X:XX	± 0.10	CHKD:	
X:XXX	± 0.05	DR: TOM	TITLE: RJ45 Connector With 1000 Base-TX Integrated Magnetic
ANGLES	$\pm 1^\circ$	UNIT: mm	PART NO.: LPJG46820AENL
	SCALE: 2/1	SHEET: 1/2	REV: A DWG: LP12072412

Mechanical:

REV.	ECN NO.	DESCRIPTION	DATE	APPD
A	REL		2012/12/20	



SUGGESTED PCB LAYOUT (TOP VIEW)

NOTES:

1. Designed to support application, such as SOHO (ADSL modems), LAN-on-Motherboard (LOM), hub and Switches.
2. Meets IEEE 802.3 specification
3. Connector Materials:
Housing: Thermoplastic UL94V-0
Contact/Shield: Copper alloy
Shield plating: Nickel
Contact plating: Gold 6 micro-inches min. In contact area.
4. Wave peak temperature: 260°C, 5Sec.



X:X	±0.20	APPD:	LINK-PP INT'L TECHNOLOGY CO., LIMITED
X:XX	±0.10	CHKD:	
X:XXX	±0.05	DR: TOM	TITLE: RJ45 Connector With 1000 Base-TX Integrated Magnetic
ANGLES	±1°	UNIT: mm	PART NO.: LPJG46820AENL
	SCALE: 2/1	SHEET: 2/2	REV: A DWG: LP12072412