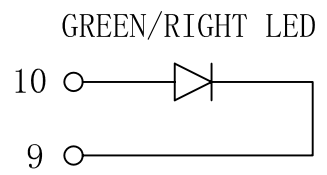
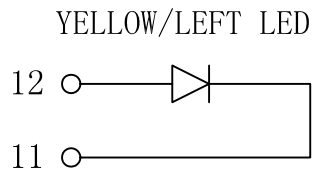
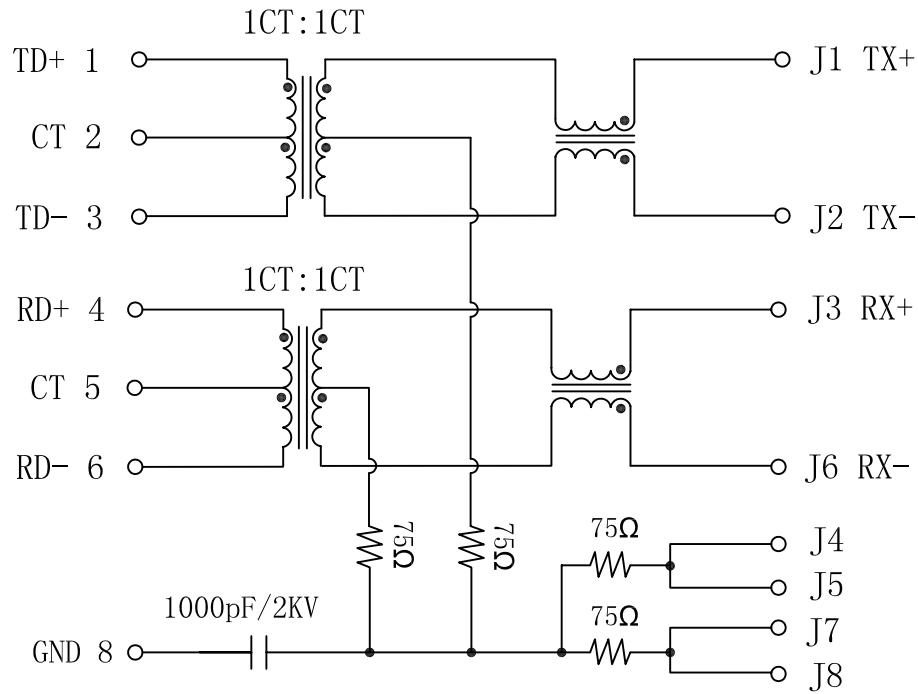


Schematic:

REV.	ECN NO.	DESCRIPTION	DATE	APPD
A	REL		2010/12/21	

PC BOARD CONNECTIONS

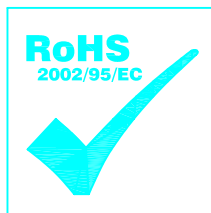


RJ45 CONNECTOR

Electrical Specification:

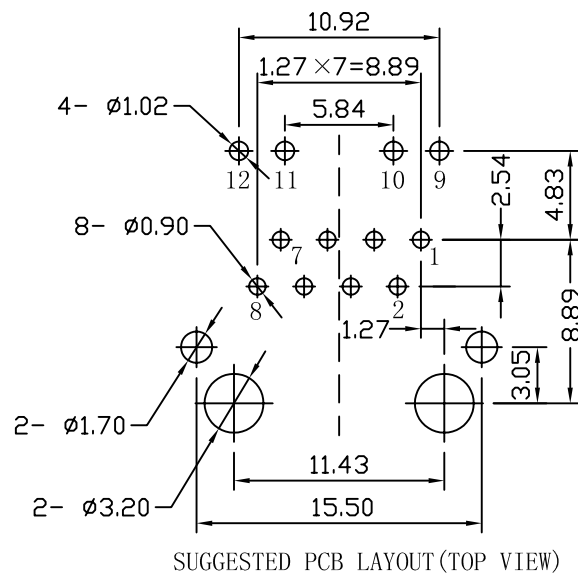
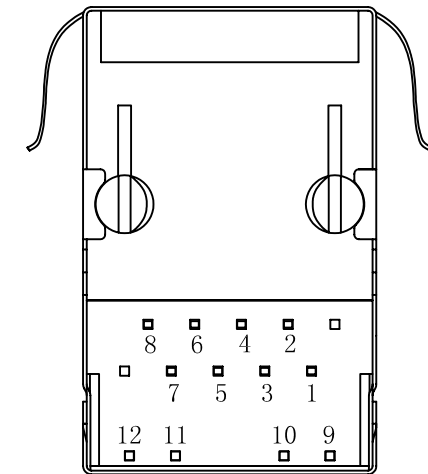
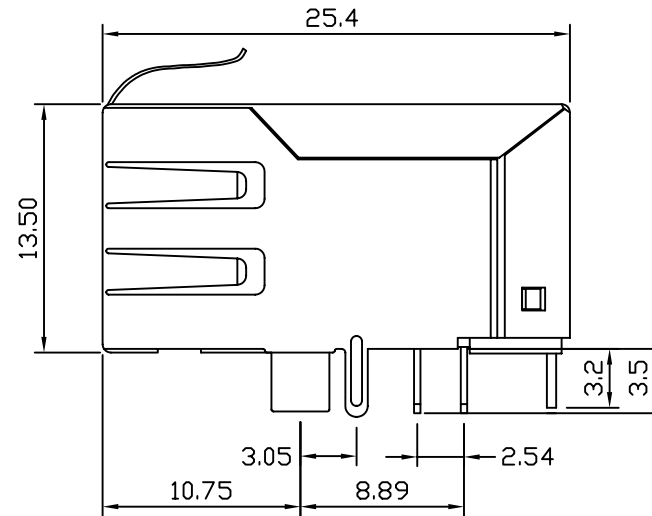
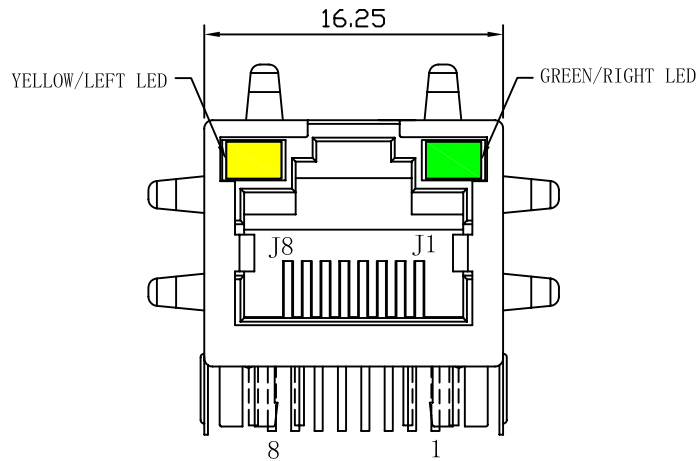
TEST NOTES (25±5°C)

- TR: (100KHZ, 100mV) ;  
TX=1CT:1CT ±3%      RX=1CT:1CT ±3%
- LX: (100KHZ, 100mV, 8mA, DC Bias)  
PINS: (P1, P3), (P4, P6)=350uH MIN
- HIPOT:  
PINS (P1, P2, P3) TO (J1, J2)=1500V  
PINS (P4, P5, P6) TO (J3, J6)=1500V
- INSERTION LOSS:  
-1.0dB MAX @ 1.0MHz TO 65MHz
- RETURN LOSS:  
-20dB MIN @ 1MHz TO 10MHz  
-16dB MIN @ 10MHz TO 30MHz  
-12dB MIN @ 30MHz TO 60MHz  
-10dB MIN @ 60MHz TO 100MHz
- CROSS TALK:  
-40dB MIN @ 1MHz TO 30MHz  
-35dB MIN @ 30MHz TO 60MHz  
-30dB MIN @ 60MHz TO 100MHz
- COMMON TO COMMON MODE REJECTION:  
-30dB MIN @1MHz TO 50MHz  
-20dB MIN @50MHz TO 150MHz
- Operating Temperature: 0°C~70°C.



X:X ±0.25	APPD:	LINK-PP INT'L TECHNOLOGY CO., LIMITED		
X:XX ±0.20	CHKD:	TITLE: RJ45 Connector with 10/100 Base-T Integrated Magnetics		
X:XXX ±0.05	DR: TOM	PART NO. : LPJ1014AGNL		
ANGLES ±1°	UNIT: mm			
	SCALE: 2/1	SHEET: 1/2	REV: A	DWG NO. : LP10122109

REV.	ECN NO.	DESCRIPTION	DATE	APPD
A	REL		2010/12/21	



NOTES:

1. Designed to support application, such as SOHO (ADSL modems), LAN-on-Motherboard (LOM), hub and Switches.
2. Meets IEEE 802.3 specification
3. Connector Materials:  
 Housing: Thermoplastic UL94V-0  
 Contact/Shield: Copper alloy  
 Shield plating: Nickel  
 Contact plating: Gold 6 micro-inches min. In contact area.
4. Wave solder tip temperature: 260°C  
 Wave solder tip temperature time: 5 Sec Max



X:X ±0.25	APPD:	LINK-PP INT'L TECHNOLOGY CO., LIMITED
X:XX ±0.20	CHKD:	
X:XXX ±0.05	DR: TOM	TITLE: RJ45 Connector with 10/100 Base-T Integrated Magnetics
ANGLES ±1°	UNIT: mm	PART NO.: LPJ1014AGNL
	SCALE: 2/1	SHEET: 2/2
	REV: A	DWG NO.: LP10122109